

Clamps



1

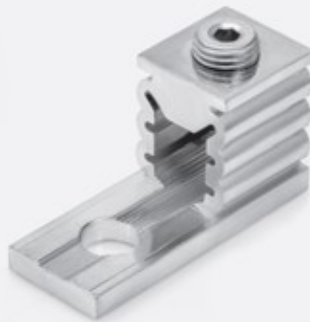
Locking systems

2

Locks
Latches

3

Hinges



4

Clamps

5

Accessories



6

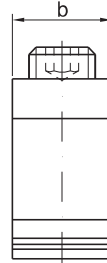
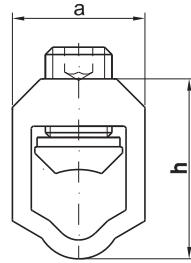
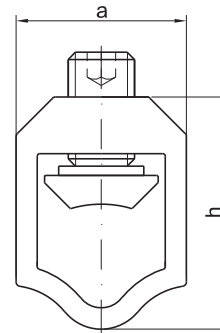
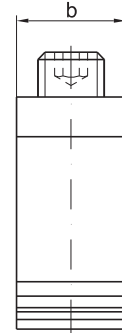
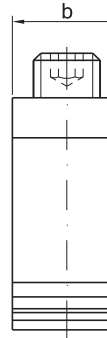
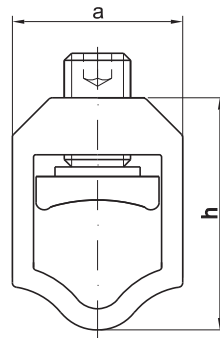
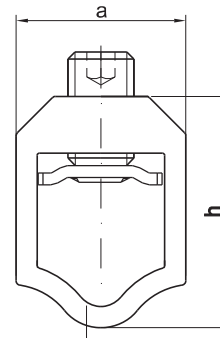
Gasketing profiles

7

Custom products



25-120SW

35-240SW
50-240SW35-240SW-C
50-240SW-C70-300SW
95-300SW25-120SW-B
50-300SW-B
95-300SW-B

sm - multiwire sector shaped conductor (flexible)



rm - round multiwire conductor (flexible)



se - sector shaped conductor (rigid)



re - round conductor (rigid)

DETAIL	CROSS-SECTION [mm ²]				NOMINAL CROSS-SECTION [mm ²]	MAX TIGHTENING TORQUE [Nm]	DIMENSIONS		
	sm	se	rm	re			a	b	h
25-120SW	25-120	25-120	16-95	16-95	95	20	28	18,5	38
35-240SW	35-185	35-240	25-150	25-95	120	30	35	23	49
50-240SW	50-185	50-240	35-95	35-120	120	30	35	23	49
70-300SW	70-240	95-300	50-120	70-150	150	30	35	23	49
95-300SW	70-240	95-300	50-185	70-240	150	30	37,5	23	54
25-120SW-B	25-120	25-120	16-95	16-120	95	20	28	18,5	38
50-300SW-B*	50-240	50-300	35-240	35-240	150	35	35	23	49
95-300SW-B	50-300	50-300	50-300	50-150	150	30	37,5	23	54
35-240SW-C	35-240	35-240	35-95	35-120	150	30	35	23,2	49
50-240SW-C	50-240	50-240	35-95	35-120	150	30	35	23,2	49

	25-120SW	35-240SW	50-240SW	70-240SW	95-300SW	25-120SW-B	50-300SW-B	95-300SW-B	35-240SW-C	50-240SW-C
clamp	brass- zinc plated					spring steel zinc-plated			nickel-plated zinc-alloy	
housing	aluminium (AlMgSi)									
screw	steel zinc-plated									

SW - hexagon head socked

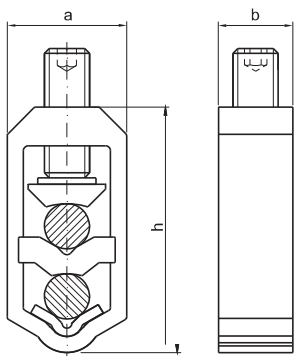
Screw clamps have safety sign 'B' Wg PN-EN 60947-7-1, (IEC 60947-7-1), EN 61238, EN 60999

* EN 60947-7-1, EN 60947-7-2

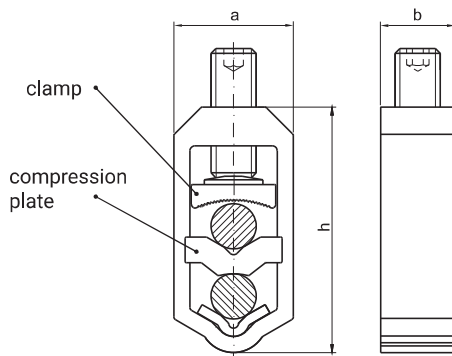
Screw clamps v-klema type

Double aluminium

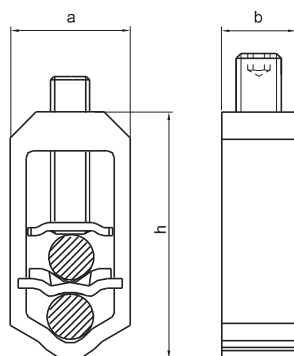
2/25-120SW
2/50-240SW
2/25-120SW-D
2/50-240SW-D



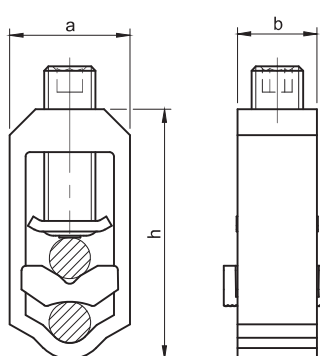
2/70-300SW
2/70-300SW-E



2/25-120SW-B
2/35-300SW-B



2/25-120SW-E



- sm** - multiwire sector shaped conductor (flexible)
- rm** - round multiwire conductor (flexible)
- se** - sector shaped conductor (rigid)
- re** - round conductor (rigid)

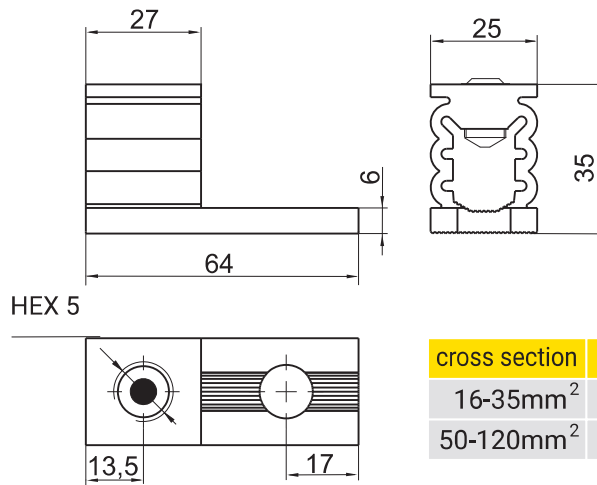
DETAIL	CROSS-SECTION [mm ²]				NOMINAL CROSS-SECTION [mm ²]	MAX TIGHTENING TORQUE[Nm]	DIMENSIONS		
	sm	se	rm	re			a	b	h
2/25-120SW	25-120	25-120	16-95	16-95	95	20	28	18	58
2/50-240SW	35-185	35-240	35-120	35-150	150	30	37	23	76
2/70-300SW	70-240	95-300	50-120	70-150	150	30	37	23	76
2/25-120SW-B	25-120	25-120	16-120	16-120	95	20	28	18	58
2/35-300SW-B	50-240	50-240	35-300	50-150	150	30	37	23	76
2/25-120SW-D	25-120	25-120	16-95	16-95	95	20	28	18	58
2/50-240SW-D	35-185	35-240	35-120	35-150	150	30	37	23	76
2/70-300SW-E	70-240	95-300	50-120	70-150	150	30	37	23	76
2/25-120SW-E	25-120	25-120	16-95	16-95	95	20	28	18	58

	2/25-120SW	2/50-240SW	2/70-300SW	2/25-120SW-B	2/35-300SW-B
clamp	brass- zinc plated			spring steel zinc-plated	
compression plate	brass- zinc plated			spring steel zinc-plated	
housing	aluminium (AlMgSi)				
screw	steel zinc-plated				
	2/25-120SW-D	2/50-240SW-D	2/70-300SW-E	2/25-120SW-E	
clamp	brass- zinc plated	ZAMAK tin-plated	brass- zinc plated	spring steel zinc-plated	
compression plate	ZAMAK tin-plated				
housing	aluminium (AlMgSi)				
screw	steel zinc-plated				

* SW - hexagon head socked

* Screw clamps have safety sign 'B' Wg PN-EN 60947-7-1, (IEC 60947-7-1), EN 61238, EN 60999

16-120 SW



cross section	tightening torque
16-35mm ²	12 Nm
50-120mm ²	25 Nm

For the multiwire sector shaped conductor **rm** the need to use the tip of the sleeve DIN 46228/4

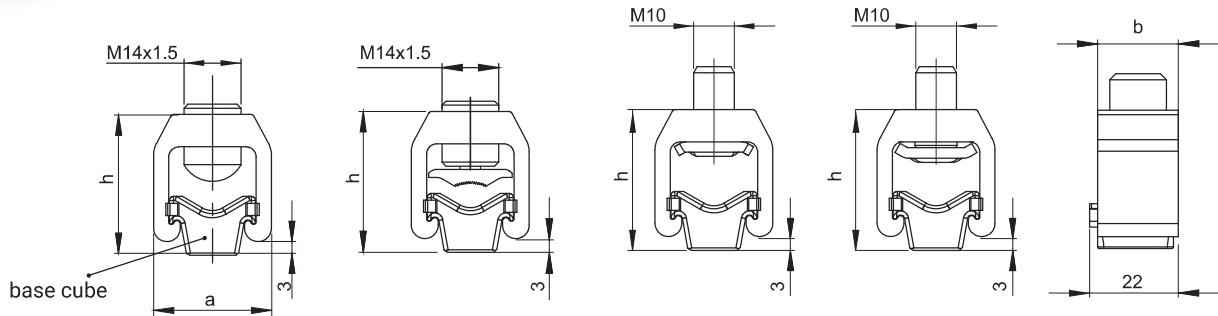


10-150.SW.A

10-150.SW.B

10-150.SW.C1

10-150.SW.C2



- sm** - multiwire sector shaped conductor (flexible)
- rm** - round multiwire conductor (flexible)
- se** - sector shaped conductor (rigid)
- re** - round conductor (rigid)

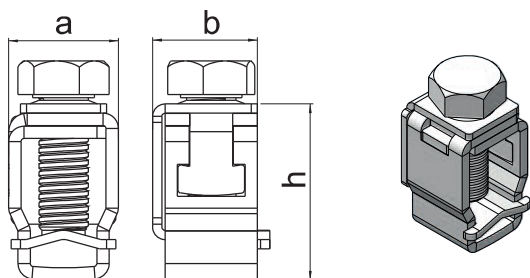
DETAIL	CROSS-SECTION [mm ²]				NOMINAL CROSS-SECTION [mm ²]	MAX TIGHTENING TORQUE [Nm]	DIMENSIONS		
	sm	se	rm	re			a	b	h
16-120SW	-	-	16-120	16-120	120	12-25	25	27	35
10-150.SW.A	35-120	35-150	10-95	10-120	120	15	29	20	34
10-150.SW.B	35-70	35-95	10-50	10-70	95	15	29	20	34
10-150.SW.C	35-70	35-95	10-50	10-70	95	15	29	20	34

	16-120SW	10-150.SW.A	10-150.SW.B	10-150.SW.C1/C2
clamp	-	-	brass tin-plated	spring steel zinc-plated
base cube	-	Brass tin-plated		
housing	aluminium (AlMgSi)			
screw	brass tin-plated			steel zinc-plated

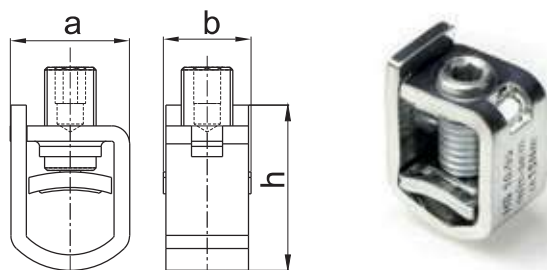
* SW - hexagon head socked.

* Screw clamps have safety sign 'B' WG PN-EN 60947-7-1, (IEC 60947-7-1)

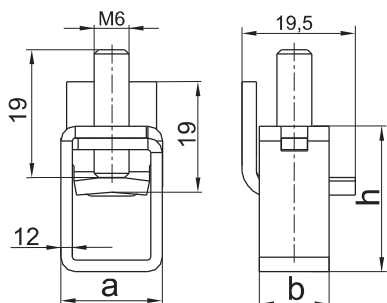
HM 6-50



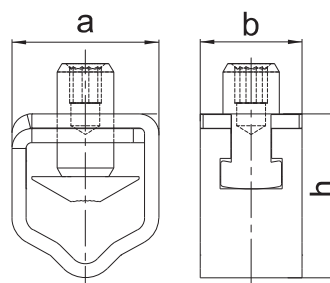
HS 10-95



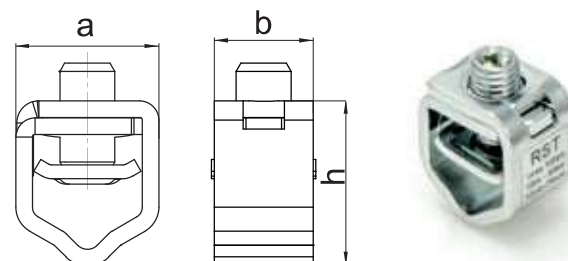
HS 6-50



HM 10-95/A HM 10-95/C HM 25-150/A HM 25-150/B



HM 10-95/B



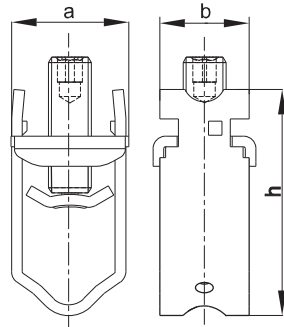
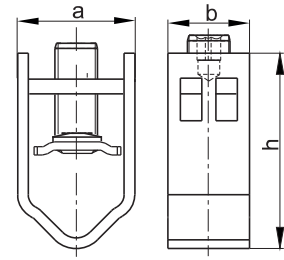
- sm** - multiwire sector shaped conductor (flexible) **rm** - round multiwire conductor (flexible)
- se** - sector shaped conductor (rigid) **re** - round conductor (rigid)

DETAIL	CROSS-SECTION [mm ²]				NOMINAL CROSS-SECTION [mm ²]	MAX TIGHTENING TORQUE [Nm]	DIMENSIONS		
	sm	se	rm	re			a	b	h
HM 6-50	25-50	25-50	6-50	6-50	50	8	18	16	30
HM 10-95/A	25-95	20-120	10-70	10-70	95	15	26	18	30
HM 10-95/B	25-95	20-120	10-70	10-70	95	15	26	18	30
HM 10-95/C	25-95	20-120	10-70	10-70	95	15	26	18	30
HM 25-150/A	25-120	35-150	25-120	35-120	95	25	26	18	31,5
HM 25-150/B	25-120	35-150	25-120	35-120	95	25	26	18	31,5
HS 6-50	-	-	6-50	6-50	50	6	17,5	12	25
HS 10-95	25-95	25-95	10-95	10-70	95	15	23	16	32

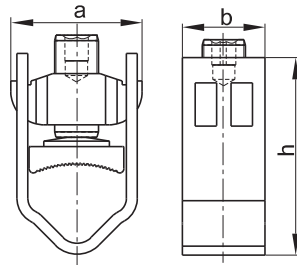
	HM 6-50	HS 6-50	HS 10-95	HM 10-95/A	HM 10-95/B	HM 10-95/C	HM 25-150/A	HM 25-150/B
housing	spring steel zinc-plated		stainless steel	spring steel zinc-plated	spring steel zinc-plated	spring steel zinc-plated	stainless steel	steel zinc-plated
clamp	spring steel zinc-plated		Brass tin-plated	spring steel zinc-plated	Brass tin-plated	Brass tin-plated	Brass tin-plated	Brass tin-plated
screw	steel zinc-plated		stainless steel	steel zinc-plated	steel zinc-plated	steel zinc-plated	stainless steel	steel zinc-plated

* Screw clamps have safety sign 'B' WG PN-EN 60947-7-1, (IEC 60947-7-1)

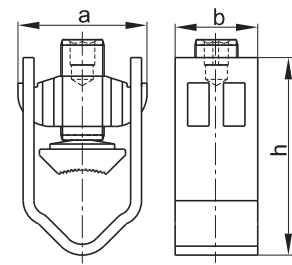
HS25-240

HS 35-300-B
HS 50-300-B

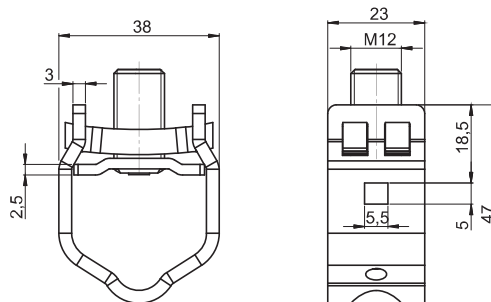
HS 70-300







HS 50-240



HS 120-300



-  sm - multiwire sector shaped conductor (flexible)
  rm - round multiwire conductor (flexible)
 se - sector shaped conductor (rigid)
  re - round conductor (rigid)

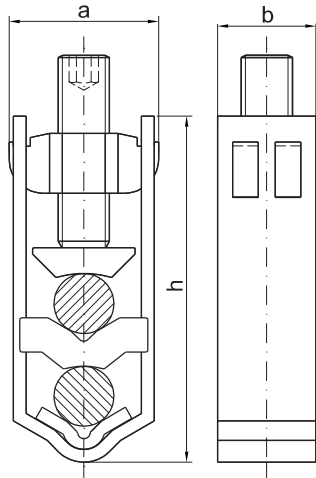
DETAIL	CROSS-SECTION [mm ²]				NOMINAL CROSS-SECTION [mm ²]	MAX TIGHTENING TORQUE [Nm]	DIMENSIONS		
	sm	se	rm	re			a	b	h
HS 25-240	50-240	50-240	25-185	25-95	240	30	33	25	63
HS 50-240	50-185	50-240	35-120	35-150	150	40	35	22	55
HS 70-300	70-240	95-300	50-150	70-185	185	40	35	22	55
HS 35-300-B	35-240	50-300	35-300	35-185	185	40	35	22	55
HS 50-300-B	50-240	70-300	50-300	50-185	185	40	35	22	55
HS 120-300	120-300	120-300	120-300	120-300	300	40	38	23	47

	HS 25-240	HS 50-240	HS 70-300	HS 35-300-B	HS 50-300-B	HS 120-300
housing	Spring steel zinc-plated					Stainless steel
clamp	Spring steel zinc-plated	Brass tin-plated		Spring steel zinc-plated		
screw	Steel zinc-plated					
nut	Steel zinc-plated	Brass tin-plated		Steel zinc-plated		

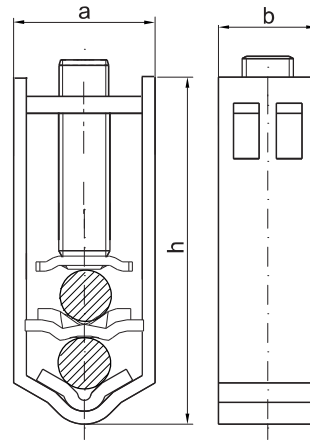
* Screw clamps have safety sign 'B' WG PN-EN 60947-7-1, (IEC 60947-7-1)

Screw clamps v-klema type HS steel double

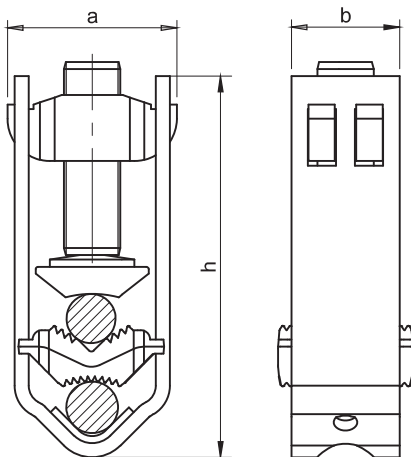
HS 2/50-240



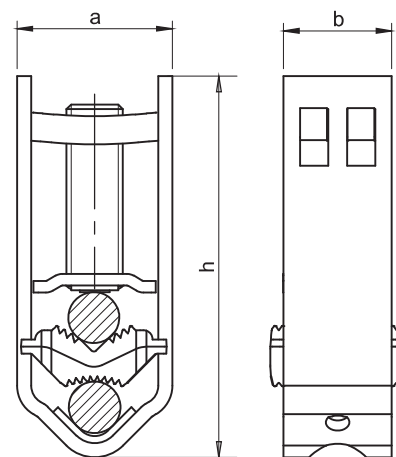
HS 2/50-240-B



HS 2/50-240-D



HS 2/50-240-E



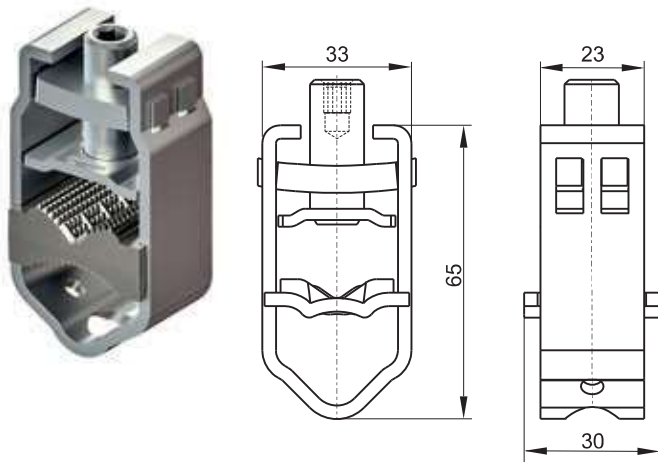
- sm** - multiwire sector shaped conductor (flexible) **rm** - round multiwire conductor (flexible)
- se** - sector shaped conductor (rigid) **re** - round conductor (rigid)

DETAIL	CROSS-SECTION [mm ²]				NOMINAL CROSS-SECTION [mm ²]	MAX TIGHTENING TORQUE [Nm]	DIMENSIONS		
	sm	se	rm	re			a	b	h
HS 2/50-240	50-185	50-240	35-150	35-185	185	40	35	22	81
HS 2/50-240-B	35-240	35-300	35-300	50-185	185	40	35	22	81
HS 2/50-240-D	50-185	50-240	35-150	35-185	185	40	36	23	81
HS 2/50-240-E	35-240	35-300	35-300	50-185	185	40	35	23	81

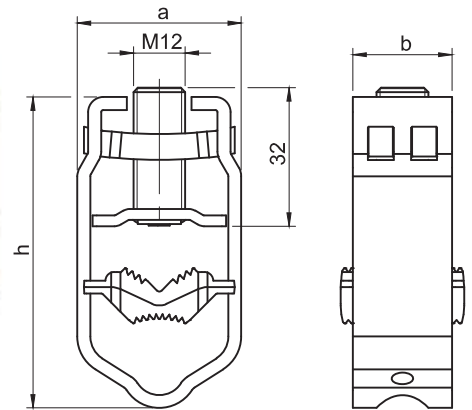
	HS 2/50-240	HS 2/50-240-B	HS 2/50-240-D	HS 2/50-240-E
clamp	Brass tin-plated	steel zinc-plated	ZAMAK tin-plated	
housing	spring steel zinc-plated			
screw	steel zinc-plated			
compression plate	Brass tin-plated		ZAMAK tin-plated	
nut	Brass tin-plated	spring steel zinc-plated		Brass tin-plated

* Screw clamps have safety sign 'B' WG PN-EN 60947-7-1, (IEC 60947-7-1)

HS 2/70-240-C

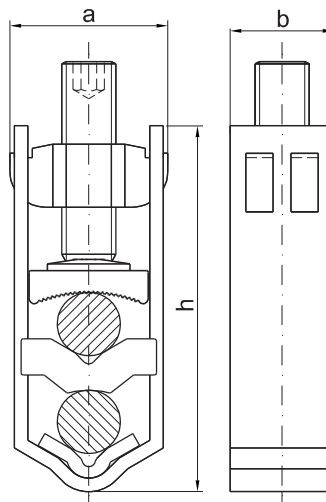






HS 2/70-240-E



HS 2/70-240-C - reserved for individual customer

HS 2/70-300



-  sm - multiwire sector shaped conductor (flexible)
  rm - round multiwire conductor (flexible)
 se - sector shaped conductor (rigid)
  re - round conductor (rigid)

DETAIL	CROSS-SECTION [mm ²]				NOMINAL CROSS-SECTION [mm ²]	MAX TIGHTENING TORQUE [Nm]	DIMENSIONS		
	sm	se	rm	re			a	b	h
HS 2/70-240-C	70-240	70-300	70-240	70-185	240	40	33	23	65
HS 2/70-240-E	70-240	95-240	70-185	95-240	240	40	38	23	72
HS 2/70-300	70-240	95-300	50-120	70-150	185	30	35	22	81

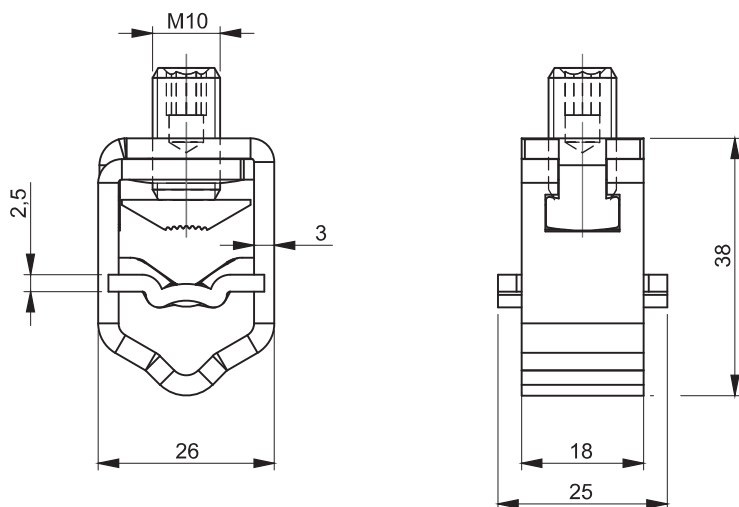
	HS 2/70-300	HS 2/70-240-C	HS 2/70-240-E
clamp	Brass tin-plated	steel zinc-plated	
housing	spring steel zinc-plated		
screw	steel zinc-plated		
compression plate	Brass tin-plated	Brass tin-plated	ZAMAK tin-plated
nut	Brass tin-plated	spring steel zinc-plated	

* Screw clamps have safety sign 'B' WG PN-EN 60947-7-1, (IEC 60947-7-1)

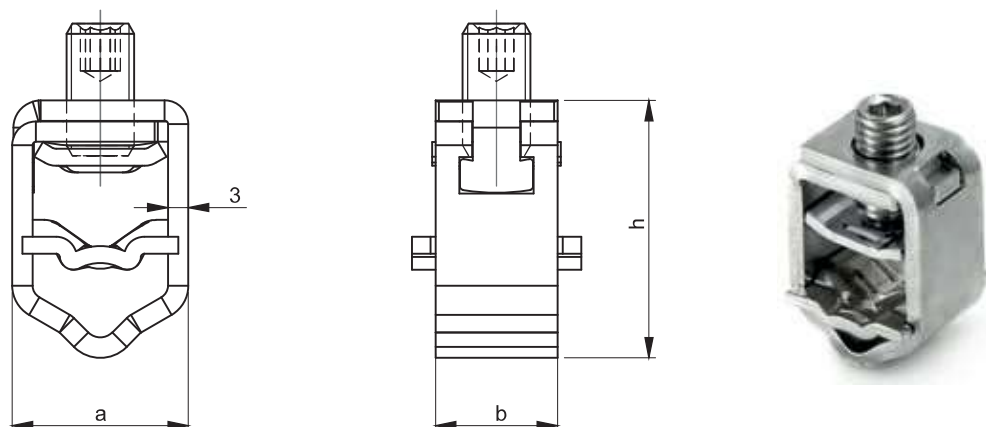
| Screw clamps

www.roztocze.eu

HM 2/10-70-A



HM 2/10-70-B



- sm** - multiwire sector shaped conductor (flexible) **rm** - round multiwire conductor (flexible)
- se** - sector shaped conductor (rigid) **re** - round conductor (rigid)

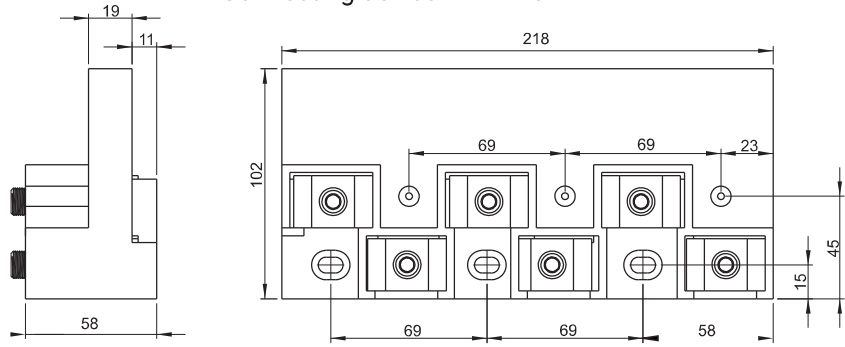
DETAIL	CROSS-SECTION [mm ²]				MAX TIGHTENING TORQUE [Nm]	DIMENSIONS		
	sm	se	rm	re		a	b	h
HM 2/10-70-A	10-50	10-70	10-35	10-50	15	26	18	38
HM 2/10-70-B	10-50	10-70	10-35	10-50	15	26	18	38

	HM 2/10-70-A	HM 2/10-70-B
Clamp	Brass tin-plated	Steel zinc-plated
Housing	Steel zinc-plated	Steel zinc-plated
Screw	Steel zinc-plated	Steel zinc-plated
Compression plate	Copper tinned	Copper tinned

* Screw clamps have safety sign 'B' WG PN-EN 60947-7-1, (IEC 60947-7-1)



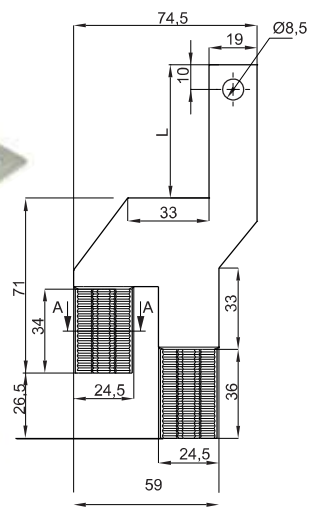
Connecting device RBK LZ6V



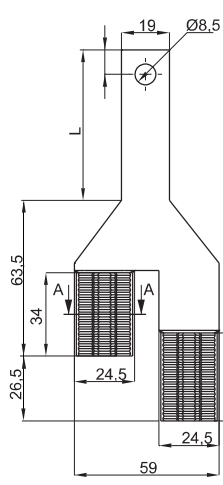
Terminals for connecting device 4.601.001



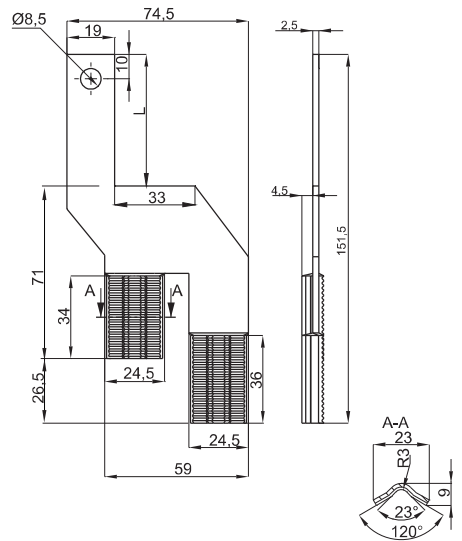
4.601.101, 4.601.201



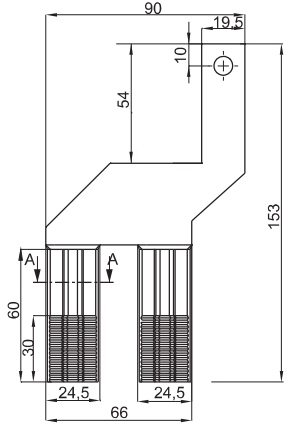
4.601.102



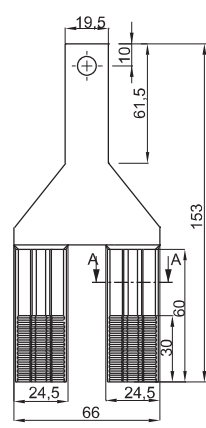
4.601.103, 4.601.203



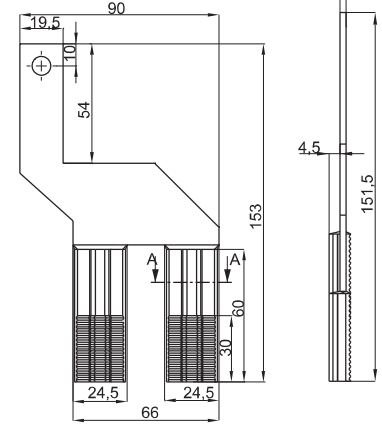
4.601.401



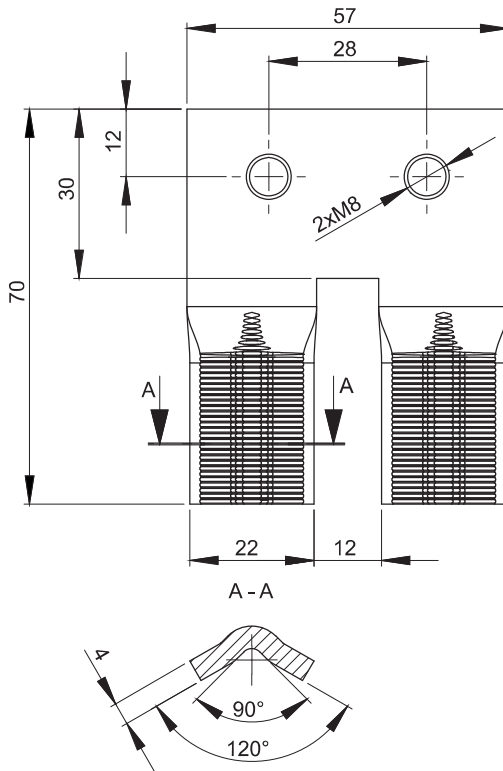
4.601.402



4.601.403

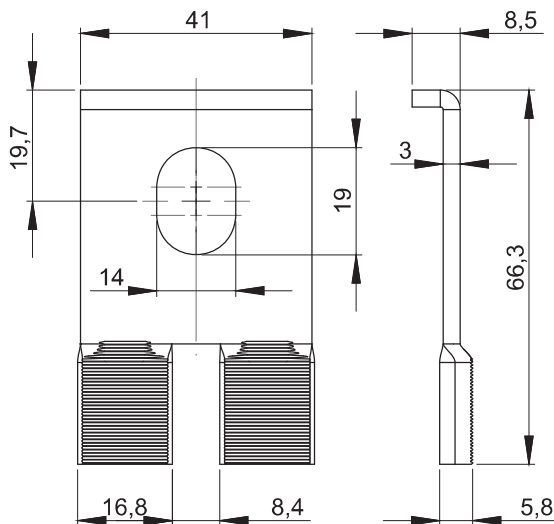


CATALOGUE NUMBER	NAME	MATERIAL	L [mm]
4.601.001	Connecting device LZ6V	Polyamide PA6 - colour white	-
4.601.101	Terminals	Tin-plated copper	54
4.601.201			42
4.601.102			63,5
4.601.202			50
4.601.103			54
4.601.203			42
4.601.401			-
4.601.402			-
4.601.403			-



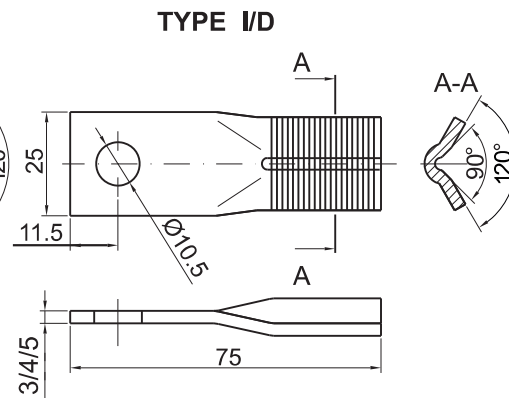
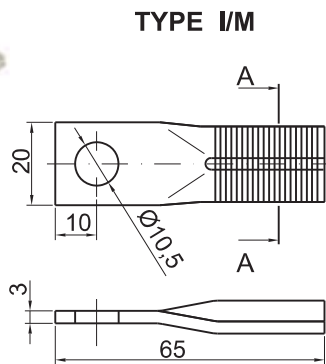
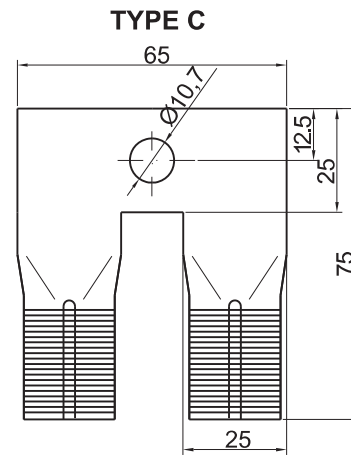
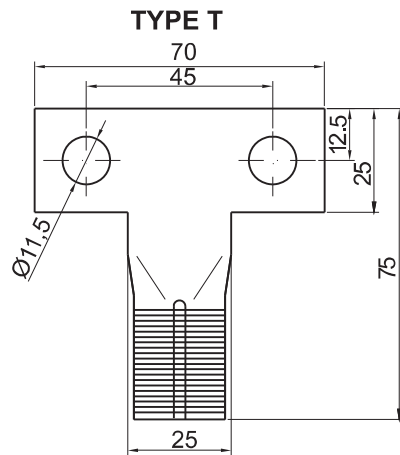
CATALOGUE NO.	DETAIL	MATERIAL
4.603.003	Terminal	Tin-plated copper

Terminal is dedicated to clamps pg.: 4-1 (in main catalogue) except 25-120 SW, 25-120 SW-B; 4-2 except 2,25-120 SW, 2/25-120 SW-B; 4-5; 4-6 (in main catalogue) except HS 2/70-240-C.



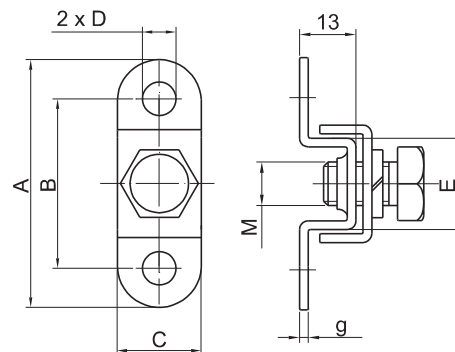
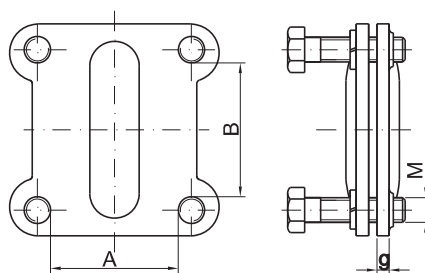
CATALOGUE NO.	DETAIL	MATERIAL
4.603.004	Terminal	Steel zinc plated

Terminal is dedicated to clamps HS 10-95 (pg. 4-4 in main catalogue)



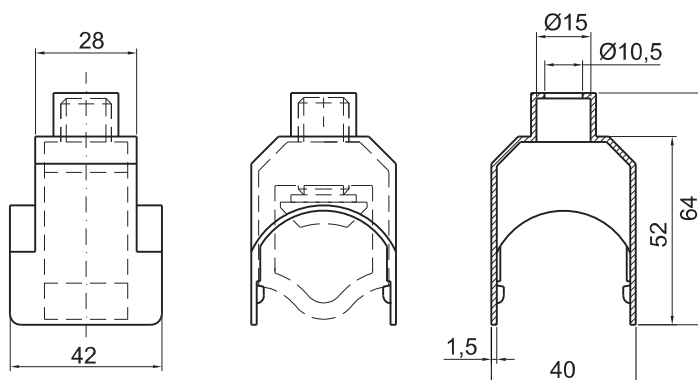
4-SCREW CLAMP

GROUND CLAMP



CAT. NUMBER	NAME	MATERIAL	A	B	C	D	E	g	M
4.406.001	Ground clamp	Steel zinc plated	53	39	18	∅ 6,5	19	2	M8x16
4.406.002			62	42	21	∅ 8,5	22	2,5	M10x16
4.405.001	4-Screw clamp	Steel zinc plated	20	25	-	-	-	3	M6
4.405.002			25	30	-	-	-	3	M6
4.405.003			30	30	-	-	-	3	M6
4.405.004			35	40	-	-	-	5	M8
4.405.005			40	40	-	-	-	5	M8
T, C, I/m, I/D	Terminals type T, C, I/m, I/D Cooper - tin plated								

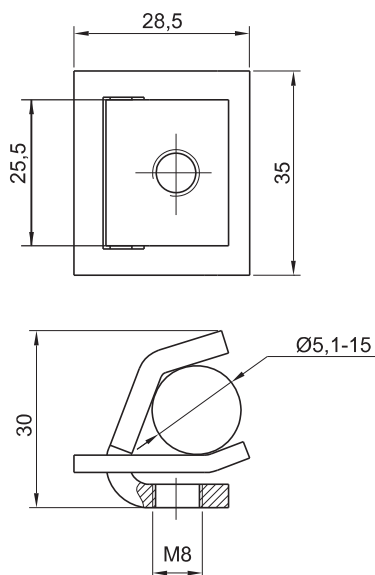
V-KLEMY COVERS



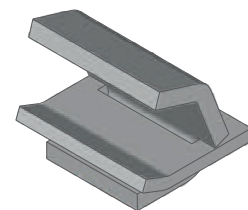
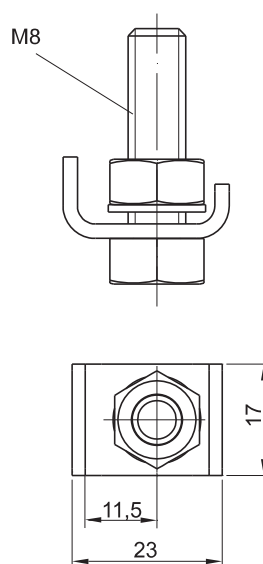
CTALOGUE NUMBER	NAME	MATERIAL	COLORS [X]												
4.520.001.0X	V-klema cover	PA6-polyamide	<table border="1"> <tr><td>01</td><td>black</td></tr> <tr><td>02</td><td>blue</td></tr> <tr><td>03</td><td>red</td></tr> <tr><td>04</td><td>green</td></tr> <tr><td>05</td><td>yellow</td></tr> <tr><td>06</td><td>grey</td></tr> </table>	01	black	02	blue	03	red	04	green	05	yellow	06	grey
01	black														
02	blue														
03	red														
04	green														
05	yellow														
06	grey														

NOTICE:
V-klema covers can be used with screw clamps type:
50-240SW, 70-300SW, 50-300SW i 35-240SW

LINEAR CLAMP - ZLG 4.402.001



GOUND HOLDER 4.403.001



CTALOGUE NUMBER	NAME	MATERIAL
4.402.001	Linear clamp ZLG	Stainless steel
4.403.001	Ground clamp ZU	Stainless steel or steel zinc plated