

DATA SHEET

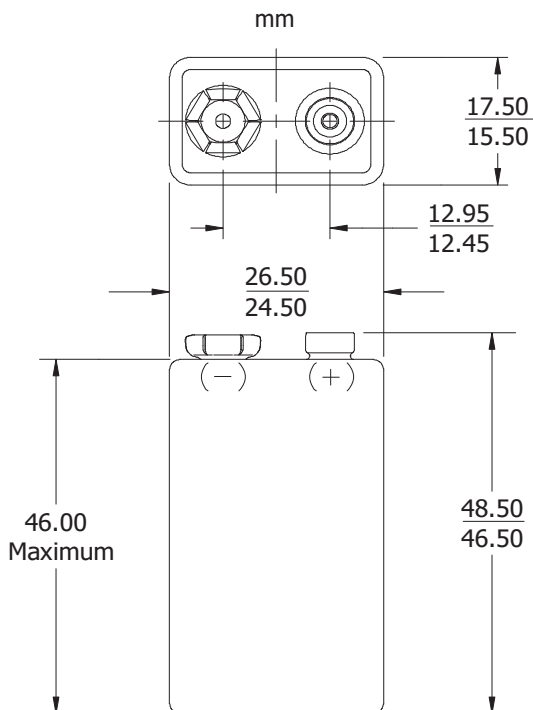
6LR61/9V

UltraTECH[®]



Classification: Alkaline
 Chemical System: Zinc-Manganese Dioxide (Zn/MnO₂)
 Designation: IEC-6LR61
 Nominal Voltage: 1.5 V
 Typical Capacity: 600 mAh (Load: 620 ohms, Discharge Type: 24 h/d, End Voltage: 4,8 V)
 Operating Temperature: -10 °C to 50 °C
 Typical Weight: 44 g
 Typical Volume: 21 cm³
 Shelf Life: 5 years

Dimensions:



Typical Capacities (at 21 °C)

| Discharge Type | Load | End Voltage (V) | Time | Applications |
|-----------------|--------------|-----------------|--------|----------------|
| 24 h/day, 1 s/h | 10 kΩ, 620 Ω | 7.5 V | 21 day | Smoke detector |
| 1 h/day | 270 Ω | 5.4 V | 21.0 h | Toys |
| 2 h/day | 620 Ω | 5.4 V | 45 h | Clock radio |